

LOCTITE®
BONDERITE®
TECHNOMELT®

Leak Prevention and Increased Efficiency

Adhesive, Sealant and Functional Coating Solutions for Fluid Power



Excellence is our Passion

Solutions for Fluid Power

As a fluid power equipment manufacturer, you face demanding market requirements for increased durability, lower cost and greater energy efficiency. Henkel, the leading solution provider for adhesives, sealants and functional coatings, offers expertise throughout the value chain, as well as innovative solutions that provide maximum reliability and cost-effective production.

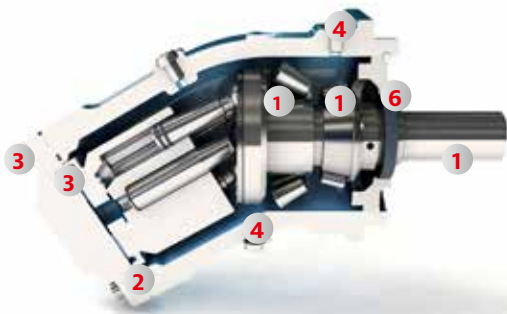
Your benefits using LOCTITE® adhesives and sealants instead of traditional fastening methods:

- Leak-free joints
- Lower cost, less complex joining methods
- Advanced materials for cleaner and more energy-efficient systems
- Integration of electronic parts
- Vibration damping solutions
- Worldwide product availability and support
- Good performance on a variety of substrates

See how LOCTITE® products can solve your design challenges.

1	RETAINING – Securing cylindrical assemblies <ul style="list-style-type: none"> • Higher load transfer with existing design • Prevent fretting, corrosion & micromovements • Slip fits can be used / replace or enhance interference fits 	SOLUTIONS <ul style="list-style-type: none"> • LOCTITE® 638™ • LOCTITE® 620™
2	GASKETING – Sealing flanges <ul style="list-style-type: none"> • 100% metal to metal contact – prevents leaks • Suitable for many flange configurations • Fill surface defects 	SOLUTIONS <ul style="list-style-type: none"> • LOCTITE® 510™ • LOCTITE® 518™ • LOCTITE® SI 5970™
3	THREADLOCKING – Locking threaded fasteners <ul style="list-style-type: none"> • Locking against vibration – no bolt loosening • Fill all voids – prevent relative movement • Prevent corrosion 	SOLUTIONS <ul style="list-style-type: none"> • LOCTITE® 222™ • LOCTITE® 243™ • LOCTITE® 2700™

Hydraulic Pump



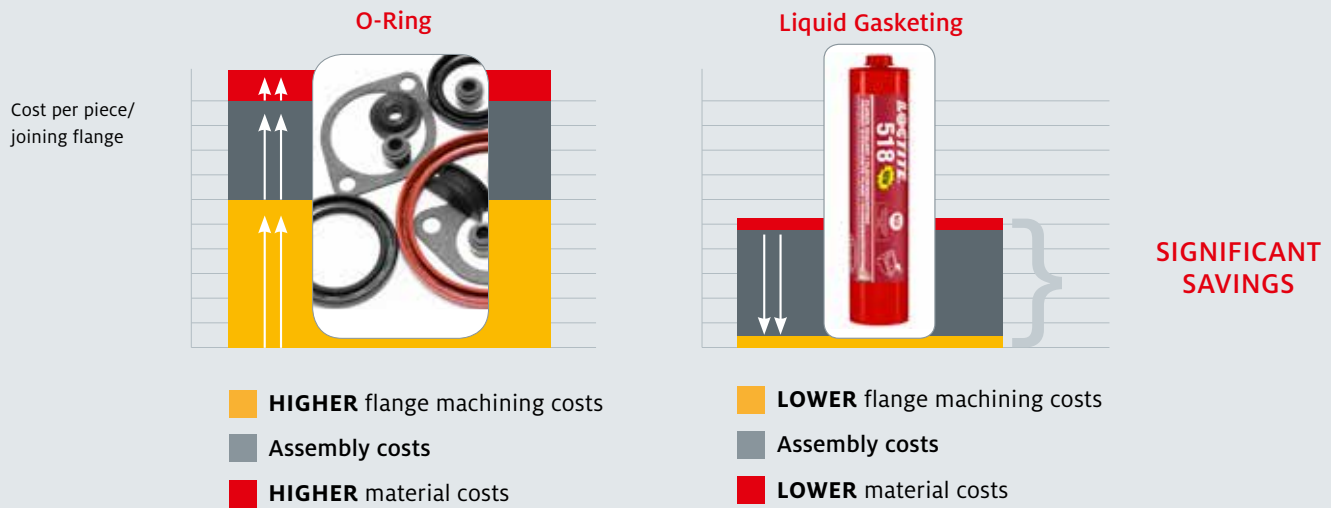
Pneumatic Screw Compressor



To complete the product portfolio across the entire value chain, Henkel offers a comprehensive cleaning and protecting solution range to cover your industrial market needs:

- LOCTITE® cleaners for parts cleaning prior to bonding
- BONDERITE® cleaners to clean and protect parts during all phases of your manufacturing process

O-RING vs. LIQUID GASKETING IN HYDRAULIC MOTORS: COST COMPARISON



4	THREAD SEALING – Sealing threaded components <ul style="list-style-type: none"> Seal against aggressive fluids / high pressure Prevent corrosion Resist vibration, pressure impacts, bending and different thermal expansion 	SOLUTIONS <ul style="list-style-type: none"> LOCTITE® 577™
5	POTTING – Encapsulating and isolating <ul style="list-style-type: none"> Protect components against impact, vibration, thermal shocks and dust Prevent contamination and corrosion 	SOLUTIONS <ul style="list-style-type: none"> LOCTITE® EA E-30CL™ TECHNOMELT® PA/PO Series
6	GENERAL BONDING – Joining and sealing dissimilar materials <ul style="list-style-type: none"> Fill gaps, allow wider tolerances Resist vibration and reduce noise 	SOLUTIONS <ul style="list-style-type: none"> LOCTITE® 4090™

Hydraulic Cylinder



Flow Control Valve



To learn more about LOCTITE® solutions for fluid power, contact your Henkel representative or visit na.henkel-adhesives.com/fluidpower

LOCTITE®
BONDERITE®
TECHNOMELT®
TEROSON®
AQUENCE®

U.S.A.

Henkel Corporation
Engineering Adhesives
One Henkel Way
Rocky Hill, Connecticut 06067
Tel: 1.800.LOCTITE (562.8483)
Tel: 860.571.5100
Fax: 860.571.5465

Canada

Henkel Canada Corporation
Engineering Adhesives
2515 Meadowpine Blvd.
Mississauga, Ontario L5N 6C3
Tel: 1.800.263.5043 (within Canada)
Tel: 905.814.6511
Fax: 905.814.5391

na.henkel-adhesives.com/fluidpower